

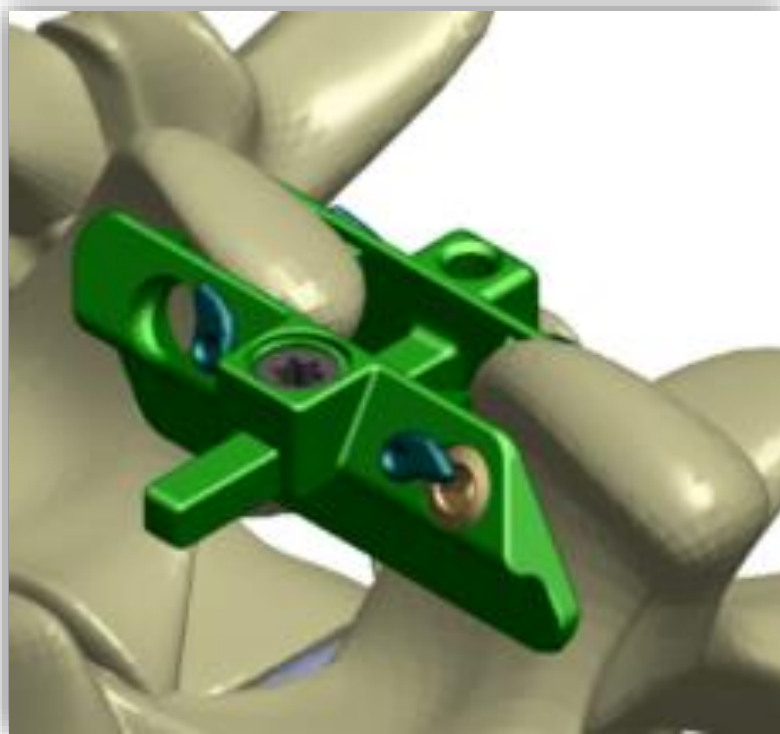
PRECISION SPINE  
**RELI**<sup>TM</sup> **SP PLUS**  
SPINOUS PLATING SYSTEM

**MINIMIZES DISRUPTION,  
KEEPS SPINOUS LIGAMENT INTACT**

The Reli SP PLUS Spinous Plating System is a posterior, non-pedicle supplemental fixation device to facilitate fusion. Various sizes of these implants are available so that adaptations can be made to take into account pathology and individual patient anatomy.

Features include:

- Two-piece design minimizes disruption and keeps the spinous ligament intact
- Each plate has 6 Pyramidal Cleats to increase spinous process fixation
- Square Thread Locking Cap reduces potential for cross threading
- 28mm, 35mm, 45mm and 55mm plate sizes
- 4.0 and 4.5mm diameter screws
- 10, 12, 14, and 16mm variable angle screws



TWO-PIECE DESIGN



6 PYRAMIDAL CLEATS



SQUARE THREAD LOCKING CAP

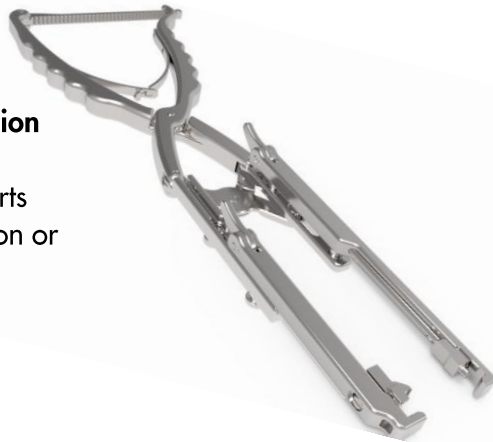


## Self Drilling Variable Screws

- 4.0 and 4.5mm diameters
- 10, 12, 14 and 16mm

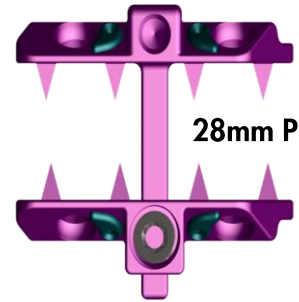
## All-in-One Insertion/Compression

**Guide** allows for a minimally disruptive technique and supports both a spinous ligament retention or sacrificing technique

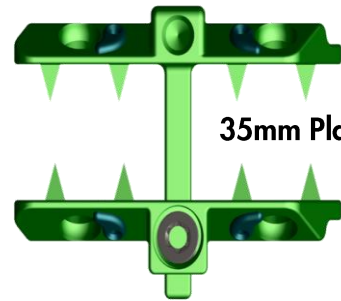


## Square Threaded Locking Cap

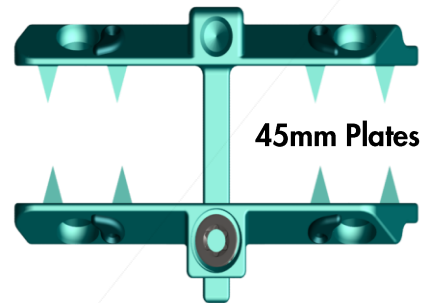
geometry reduces risk of cross threading



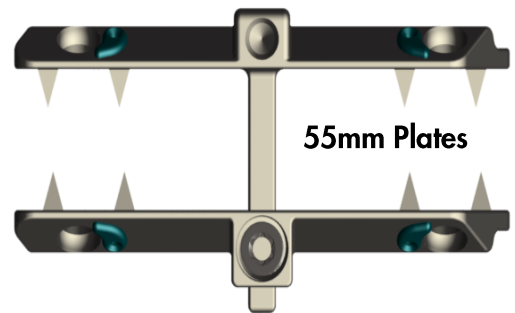
28mm Plates



35mm Plates



45mm Plates



55mm Plates

## Precision Spine, Inc.

2050 Executive Drive, Pearl, MS 39208

Customer Service: 1.888.241.4773

Phone: 601.420.4244

Toll Free: 877.780.4370

Fax: 601.420.5501

[www.precisionspineinc.com](http://www.precisionspineinc.com)

